



80-LITER BOWL CUTTER

Item: 10880

Model: FP-ES-0080

Bowl cutting produces as much as 15% higher finished product yield. Bowl cutting also allows the use of up to 30% more water and results in less shrinkage.



Authorized Dealer

Standard

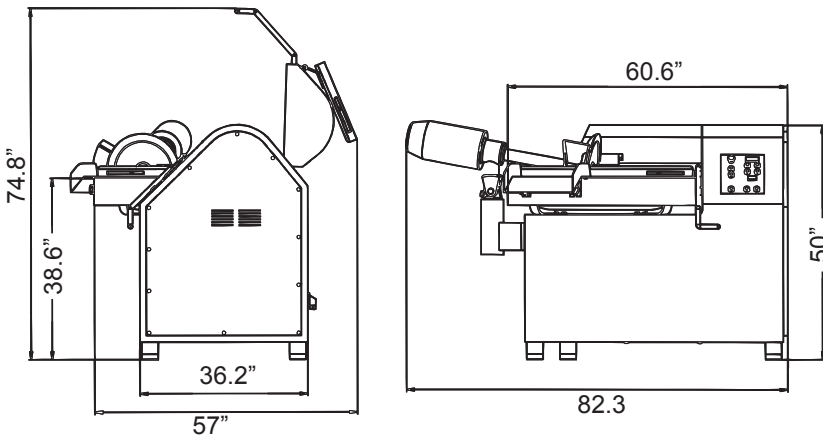
- 2 independent motors (bracket knife and bowl)
- Two 2 speed motors
- 6 knife head and compensating rings to use for 3 -knife head
- Anti-noise lid
- All stainless steel
- Water resistant switchboard

Optional

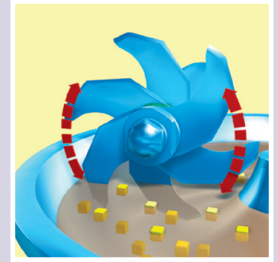
- Optional slow knife mixing speed in 2 directions
- Extracting arm with motorized disc to unload to a trolley

TECHNICAL DRAWING & DIMENSIONS

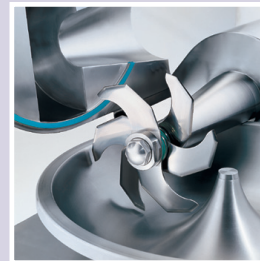
Item: 10880



Front lid



Optional slow knife mixing speed in 2 directions



Standard removable 6 and 3-knife head



Optional motorized unloader

TECHNICAL SPECIFICATION

ITEM NUMBER	10880
MODEL	FP-ES-0080
BOWL VOLUME	80 L / 21 gal
MIXTURE BOWL CAPACITY (APPROX.)	65 kg./143.3 lbs.
KNIFE HORSEPOWER	14.3/20.4HP
KNIFE SPEED	2200/4300 RPM
BOWL HORSEPOWER	2/3.4 HP
BOWL SPEED	11/21 RPM
ELECTRICAL	220V/60/3
WEIGHT	2425 lbs.
PACKAGING WEIGHT	2860 lbs.
DIMENSIONS (DWH)	57" x 82.3" x 50"
PACKAGING DIMENSIONS	96" x 66" x 60"

OMCAN INC.

Telephone: 1-800-465-0234
 Fax: (905) 607-0234
 E-mail: sales@omcan.com
 Website: www.omcan.com



Follow us to keep up to date with the latest news and offers

